



MODEL: WQ60-ENCL



GENERATOR RATINGS

Output: 75kVA/60kW Standby
70kVA/56kW Prime
Available Voltage: 120/240V,
120/208V, 277/480V, 600V
Phase: Single and Three

DIMENSIONS

Length: 95" (2413mm)
Width: 40" (1016mm)
Height: 58.5" (1486mm)
Dry Weight: 3200lb (1455kg)
Fuel Capacity: 60 gal (272L)
Approx. dimensions



Rear Access Panel includes:

- Engine control panel
- Volt and Hertz meter package
- Engine speed control
- Main Breaker Disconnect or
- AC distribution panel

GENERATOR SET SPECIFICATIONS AND STANDARD FEATURES

- Isuzu 4JJ1X Liquid cooled diesel engine
-91HP @ 1800RPM
-EPA Tier 3 Certified
- Newage-Stamford single bearing, brushless generator *CSA/UL Approved*
- Optional PMG available
- 12ga All-Weather powder coated metal enclosure with lockable doors
- 60 Imp. Gal (272L) internal fuel tank with fuel gauge
- Low oil pressure, high coolant temperature automatic safety shutdown system
- Key start panel with Digital Display and Volt & Hertz meter package
- Lifting hook and tie down pockets
- Residential grade exhaust muffler system
- CSA approved Main Breaker Connection
- G27 battery and box

Available Options

- Remote oil drain kit
- Remote fuel tank valves for easy connection with auxiliary tank
- CSA Approved AC distribution panel
- Engine coolant heater
- Positive air safety shutoff valve
- Tandem axle trailer
- Winter front
- Thermostatic controlled radiator shutters

GENERATOR SET POWERED BY

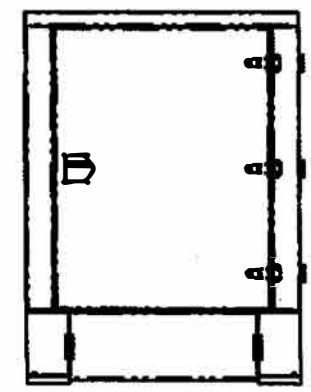
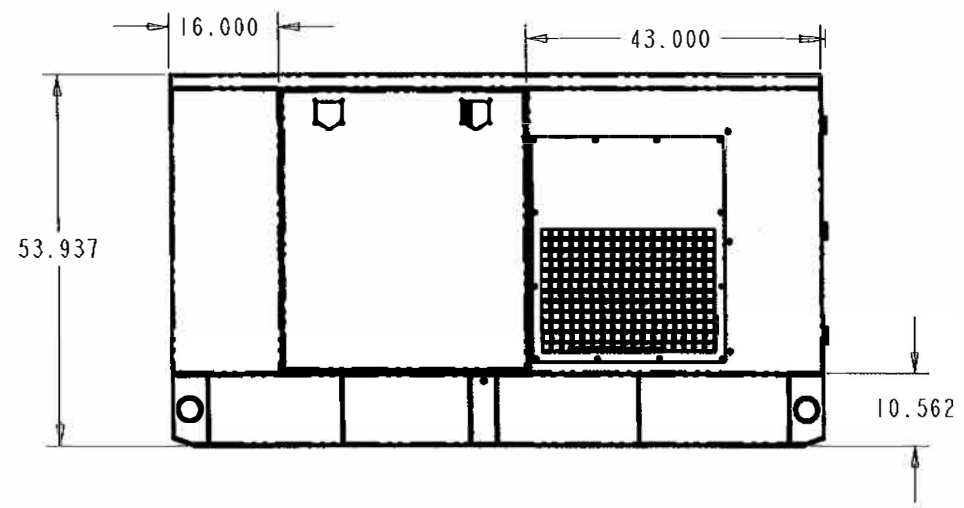
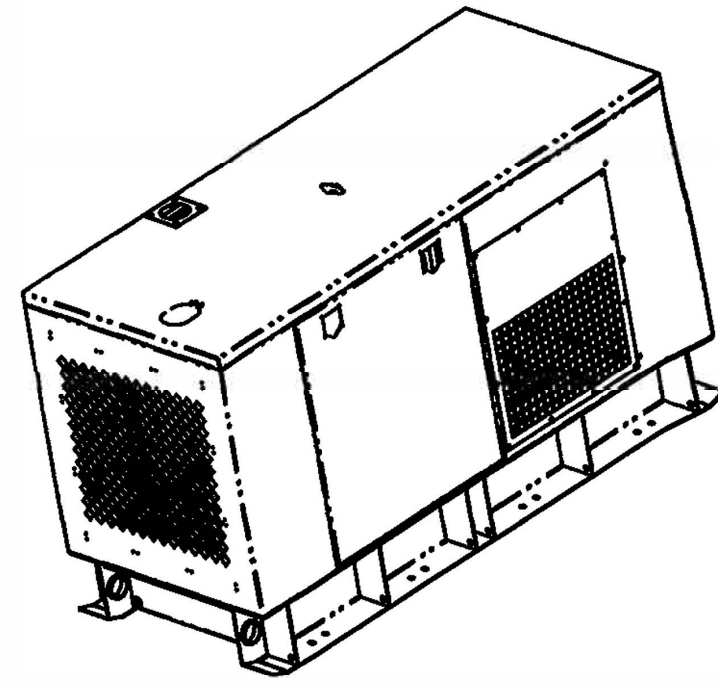
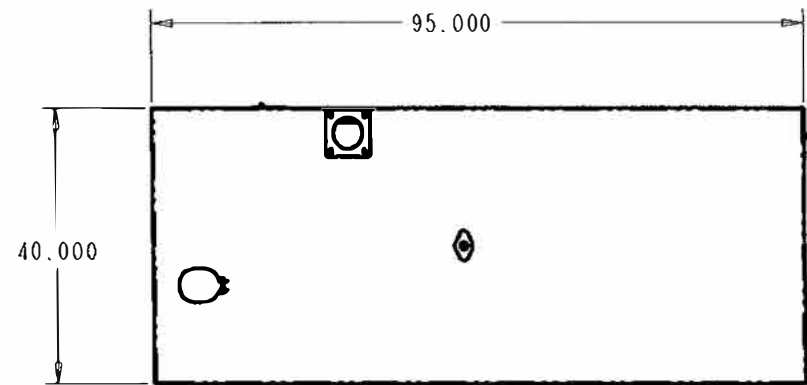


WESTQUIP DIESEL SALES LTD

Edmonton, Alberta, Canada ph: 780.960.5560 Calgary, Alberta, Canada ph: 403.261.0601

www.westquip.ca

REV	CHANGE	BY	DATE



TOLERANCES UNLESS NOTED:
HOLE CENTERS ± .020"
HOLE DIA. ± .020"
LINEAR ± .060"
ANGULAR ± 1/2°

Westquip Diesel Sales Ltd. Alberta, Canada	DRWN BY: JGG
	DATE: 06/20/13
This document is the property of REIDCO METAL INDUSTRIES LTD. It is not to be copied, reproduced or disclosed except by express written permission.	
WESTQUIP WQ60-ENCL	MATERIAL: CHKD BY:
	INSIDE RAD SCALE: 0.062
ENCL-SKID-4JJ	SHEET 1 of 1 REV. A