



WESTQUIP
DIESEL SALES

WQ25LT / WQ35LT

LT SERIES LIGHT TOWER



- Built for extreme operating conditions in cold weather environments
- Proven Reliable Isuzu Diesel Engine
- Safe Hydraulically Operated Vertical Mast Tower
- Durability and Reliability incorporated in design
- Contractor friendly for easy service and maintenance
- Large fuel tank extending runtime between fill ups
- CSA and Transport Canada Approved
- 110% Environmental Spill Containment
- Trailer equipped with torsion axle and electric brakes

SPECIFICATIONS

WQ25LT / WQ35LT

Engine and Generator

- WQ25LT - Isuzu 4LE 4 cylinder liquid cooled diesel, 34 hp @ 1800 rpm
- WQ35LT - Isuzu 4LE1T 4 Cylinder liquid cooled diesel, 48 hp @ 1800 rpm
- Isuzu 5 year / 5000 hr major component warranty
- Low Oil Pressure and high coolant temperature safety shutdown system
- Key switch start panel with hour meter, oil pressure and coolant temperature gauges
- 12V Electric glow plug starting system
- Mechanical governor
- Suction fan for winter operation
- Vibration Isolators with crash stop - for mobile applications
- Newage-Stamford 60Hz single bearing brushless generator (alternator)

Tower

- Safe and simple one person operation
- Hydraulic operated vertical tower system
- Heavy duty 6 stage mast design
- 25' (7.6m) extended height
- Adjustable 360° tower rotation and adjustable light fixtures
- Cold Weather Cord

Value Added Features

- 110% Environmental spill containment
- Oil and Coolant drain valve
- 120V Engine coolant heater
- G24 battery (optional battery box and larger G27 Battery)
- Positive air safety shutoff valve (rig saver)
- Large Fuel tank exceeding minimum runtime to over 100 hrs

Trailer

- Transport Canada Approved
- 1/4" steel tubing construction
- Step incorporated on front of trailer with non-slip grid material
- 3500 lb torsional axle
- Electric brakes
- 4 Point design stabilizers with 2 outriggers, tongue jack and rear jack
- Forklift pockets and lifting eye
- Removable Fenders
- 4 - Corner tie downs and hitch saver
- Hitch - adjustable 2" ball / Pintle combination
- 15" white spoke wheels
- Wide tracking width - 71 inch
- Standard 7 pin trailer connector
- Removable bolt-on trailer components for simple conversion to skid mount unit

Power Output

- WQ25LT - 22kw (27kVA) intermittent; 20kW (25kVA) continuous
- WQ35LT - 30kw (37kVA) intermittent; 27kW (34kVA) continuous
- Voltage: 120/208V 3 Phase (Optional 480V three phase voltage)

Fuel Capacity

- 250L / 65 US gal (75 hrs runtime- WQ25LT @ 50% load , 65 hrs runtime -WQ35LT @ 50% load)

Lighting System

- Four 1000 Watt metal halide light fixtures (optional LED Available)

AC Distribution Panel

WQ25LT

- 70 amp 3 pole main breaker
- 2 - 120V 20 amp duplex receptacle
- 3 - 125/250V 30 amp 4 - prong twist-lock receptacle
- 1 - 3 Phase 208V 30 amp 4 - prong twist-lock receptacle

WQ35LT

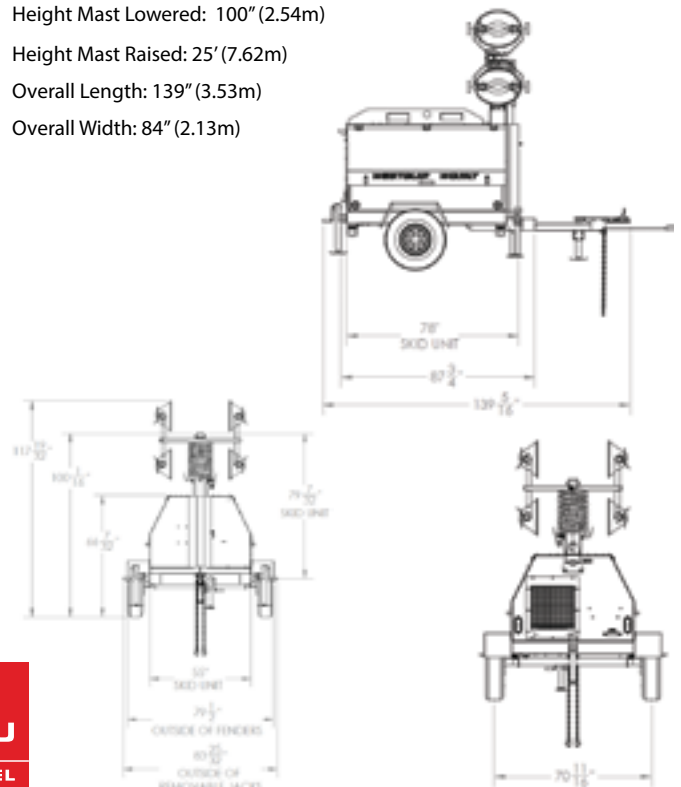
- 100 amp 3 pole main breaker
- 2 - 120V 20 amp duplex receptacle
- 5 - 125/250V 30 amp 4 - prong twist-lock receptacle
- 1 - 3 phase 208V 30 amp 4 - prong twist-lock receptacle

Enclosure

- 12 gauge material
- Lockable doors
- Internal light fixture storage
- All metal powder coated finish

Dimensions

- Dry Shipping Weight: WQ25LT 2900 lb (1315 kg); WQ35LT 3180lb (1442kg)
- Height Mast Lowered: 100" (2.54m)
- Height Mast Raised: 25' (7.62m)
- Overall Length: 139" (3.53m)
- Overall Width: 84" (2.13m)



WESTQUIP
Website: www.westquip.ca
Email: info@westquip.ca
Phone: 780-960-0550

